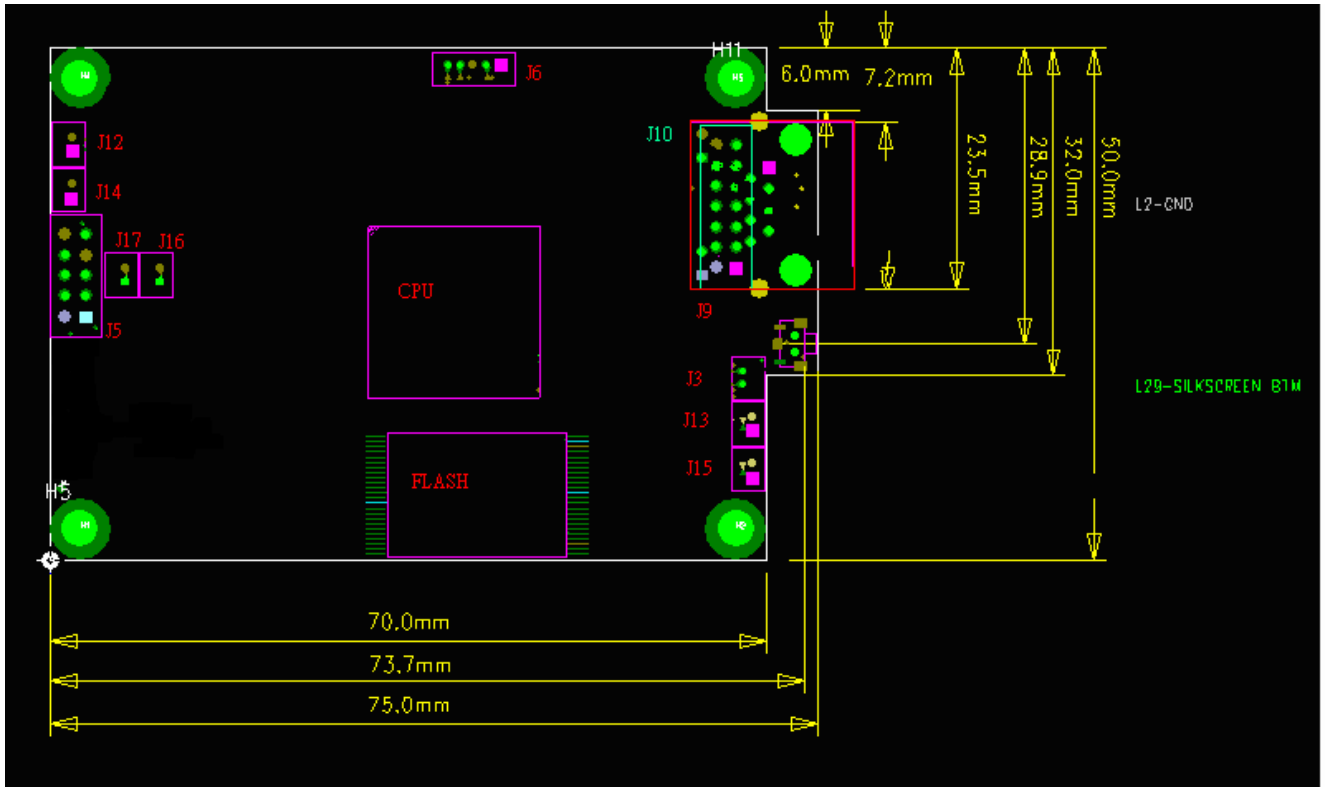


Wafer Connector & Wire to board Connector (CAM5070 board Ver:002)



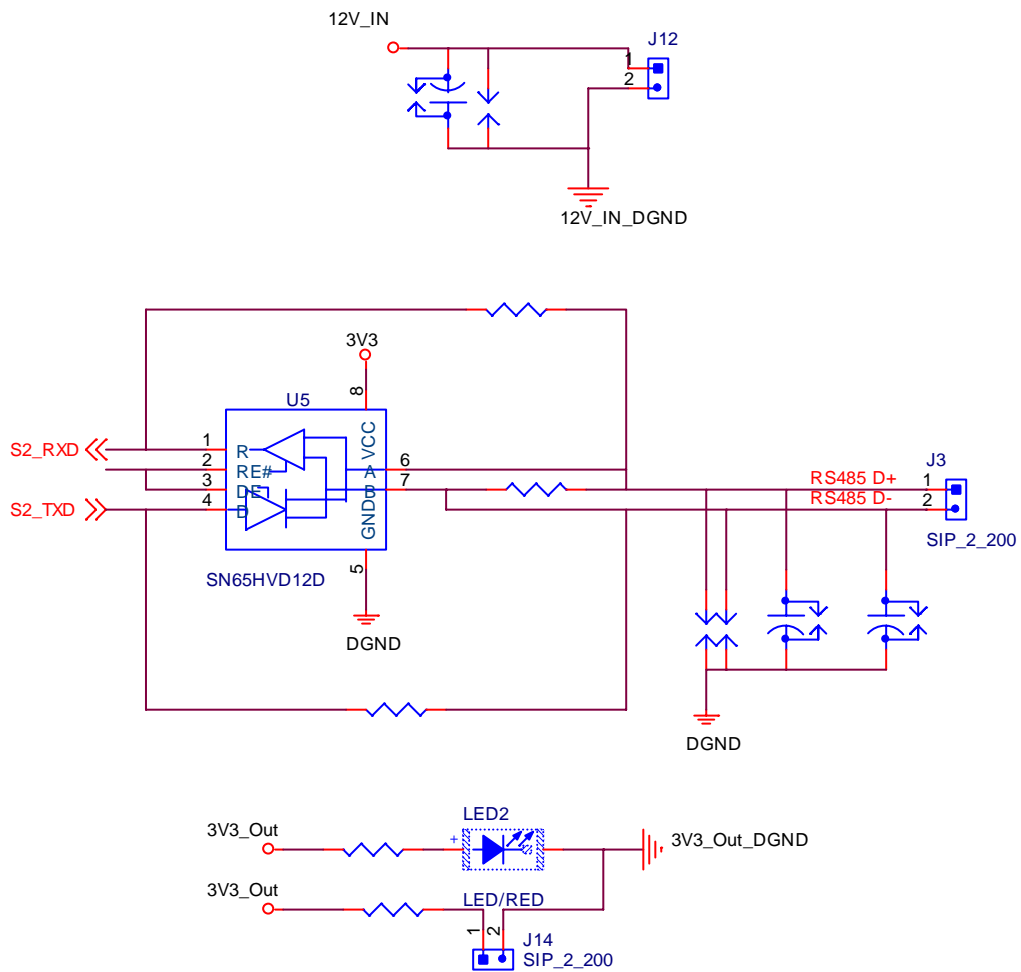
1.25mm component

- Power In (12V) & RS485 Connector (2Pin Wafer Connector & Wire to board Connector)

J12: 12V_IN

J3: RS485/RS232 Connector

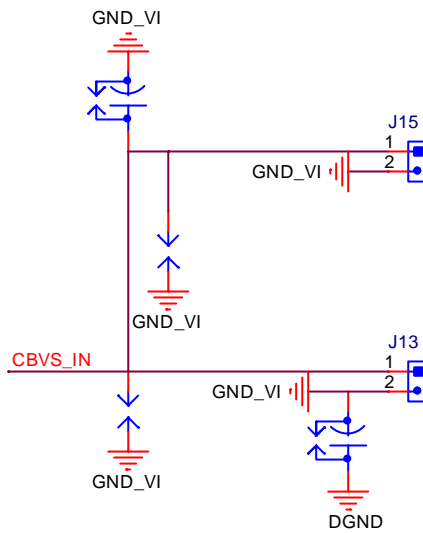
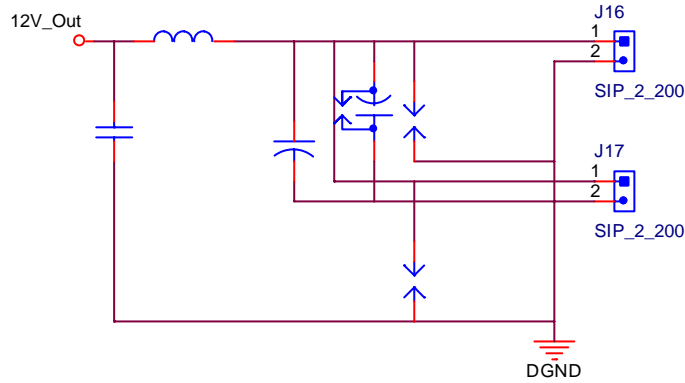
J14: 3.3V_OUT



2. Video Connector **Video In** & **12V_Out** (2Pin Wafer Connector & Wire to board Connector)

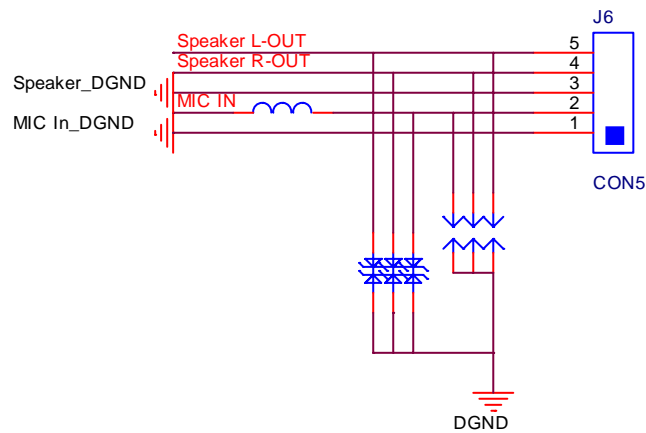
J16、J17: 12V_Out

J13、J15: Video_IN



3. Audio Connector (5Pin Wafer Connector & Wire to board Connector)

J6:Audio Out/Mic In

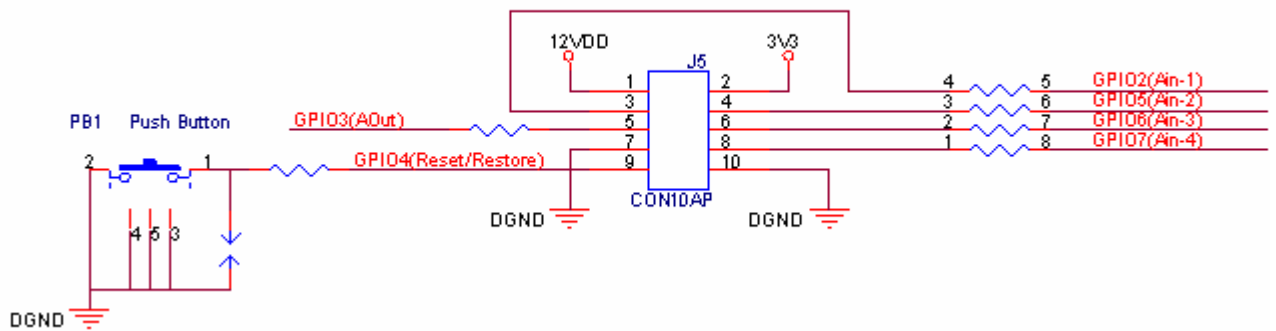
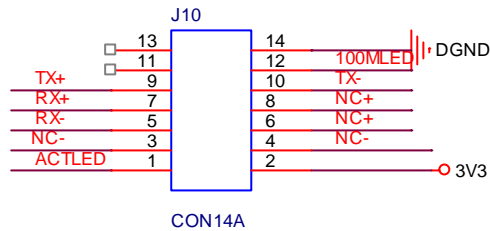


2.00mm component

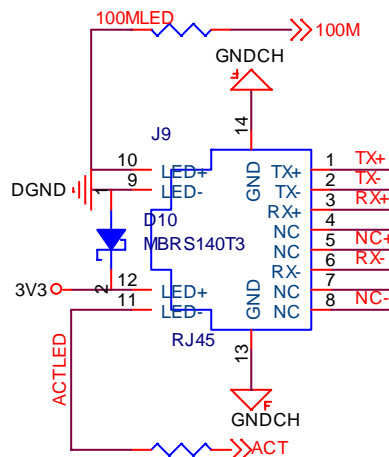
1. Ethernet & GPIO Connector (2x7、2x5 pin Wafer Connector & Wire to board Connector)

J10: Extendable Ethernet connector

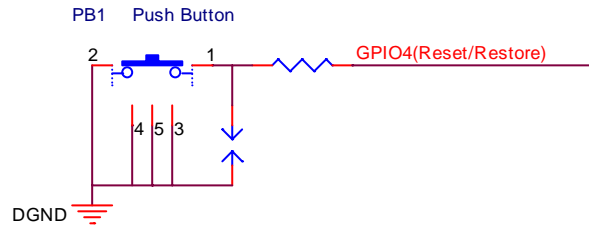
J5: GPIO Connector



RJ-45 component

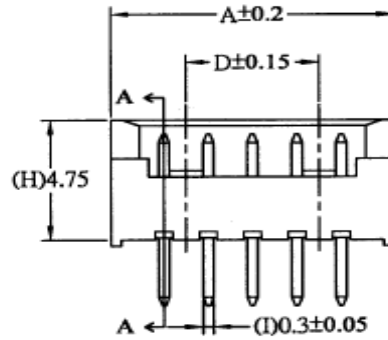
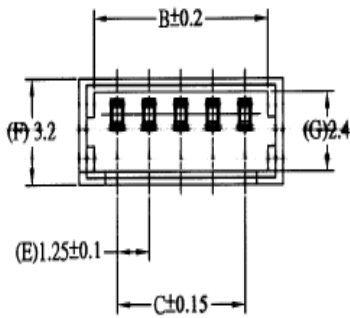
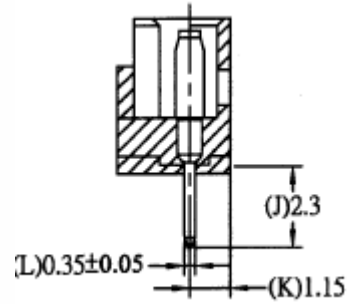


HW Reset Switch



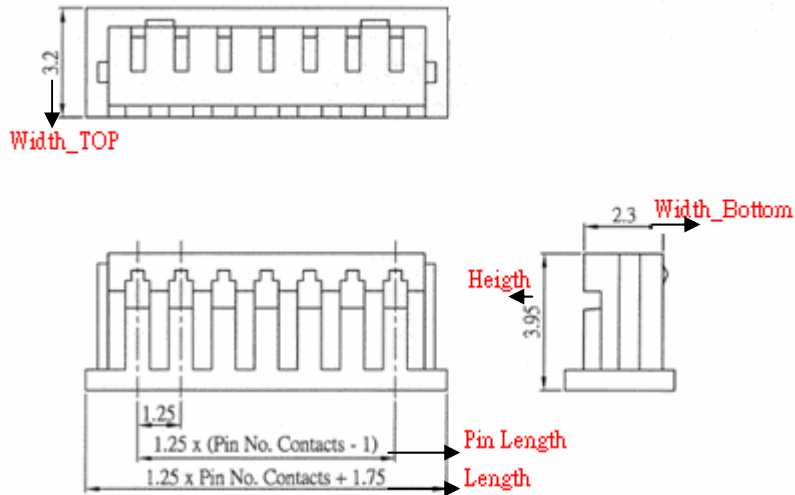
● 1.25mm_Wafer board Connector (2 ~ 5Pin)

POLES	DIMENSION (mm)			
	A	B	C	D
02	04.25	03.05	01.25	-
03	05.50	04.30	02.50	01.25
04	06.75	05.55	03.75	02.50
05	08.00	06.80	05.00	03.75
06	09.25	08.05	06.25	05.00
07	10.50	09.30	07.50	06.25
08	11.75	10.55	08.75	07.50
09	13.00	11.80	10.00	08.75
10	14.25	13.05	11.25	10.00
11	15.50	14.30	12.50	11.25
12	16.75	15.55	13.75	12.50
13	18.00	16.80	15.00	13.75
14	19.25	18.05	16.25	15.00
15	20.50	19.30	17.50	16.25



● 1.25mm_Wafer Connector (2、5Pin)

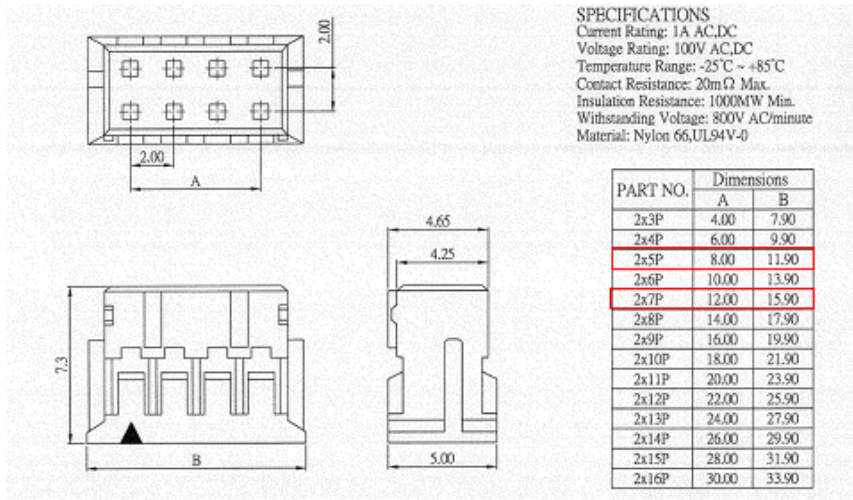
POLES	Dimension(mm)				
	Pin Length	Length	Width_TOP	Width_Bottom	Heigth
2pin	1.5	4.25	3.2	2.3	3.95
5pin	5.25	8	3.2	2.3	3.95



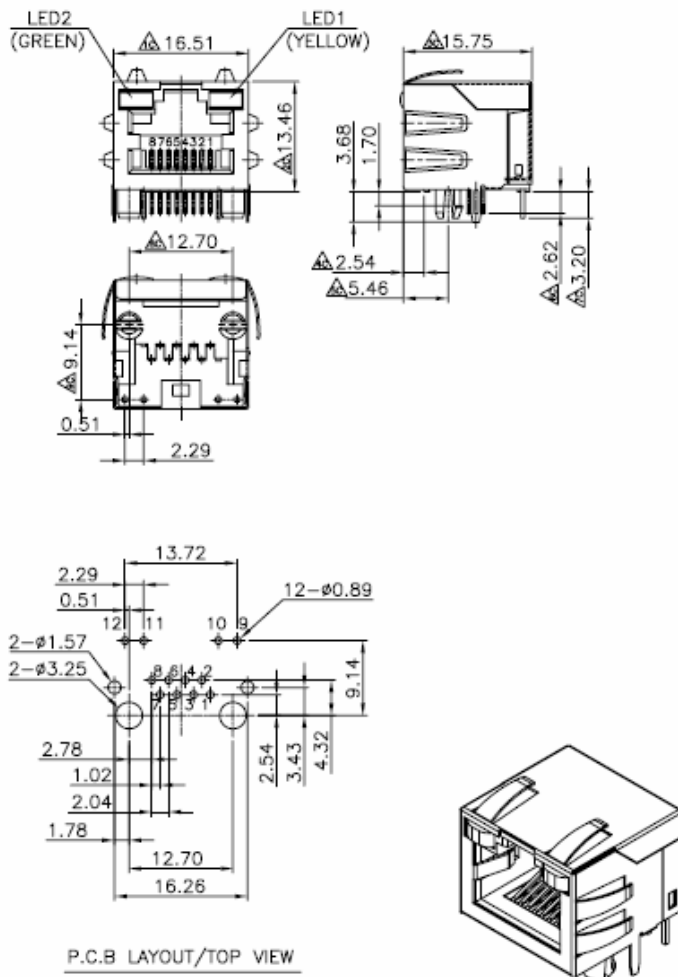
NOTES:

1. MATERIAL : THERMOPLASTIC UL94V-0
2. Pin No. : 02 Pin ~ 15 Pin

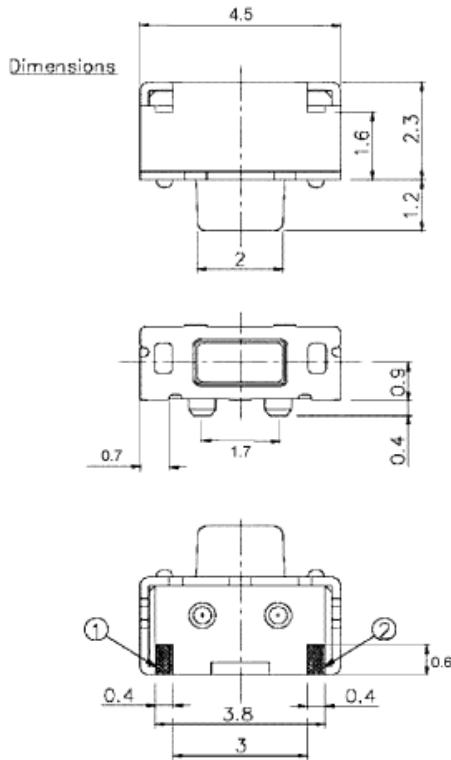
- **2.00mm_Wafer Connector (2x5、2x7 pin)**



- **RJ45 dimension**



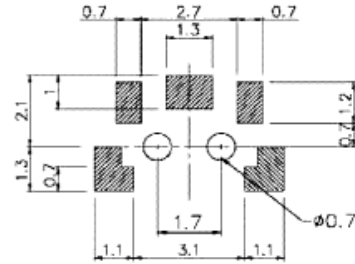
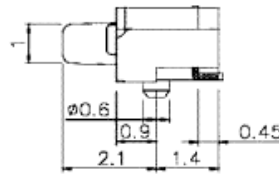
● **HW Reset Switch**



Circuit diagram



P.C.B Mounting pattern Dimension



SPECIFICATION

1. RATING : 50mA, DC12V Max.
2. CIRCUIT : 1C-1P.
3. OPERATING FORCE : 160 ± 50 gf.
4. CONTACT RESISTANCE : $100\text{m}\Omega$ Max.
5. TRAVEL : 0.2 ± 0.1 mm.
6. LIFE : 100,000 Cycles Min
7. TOLERANCE : ± 0.2 .